

(2) ANCHOR NOT INCLUDED

**NOTE:**

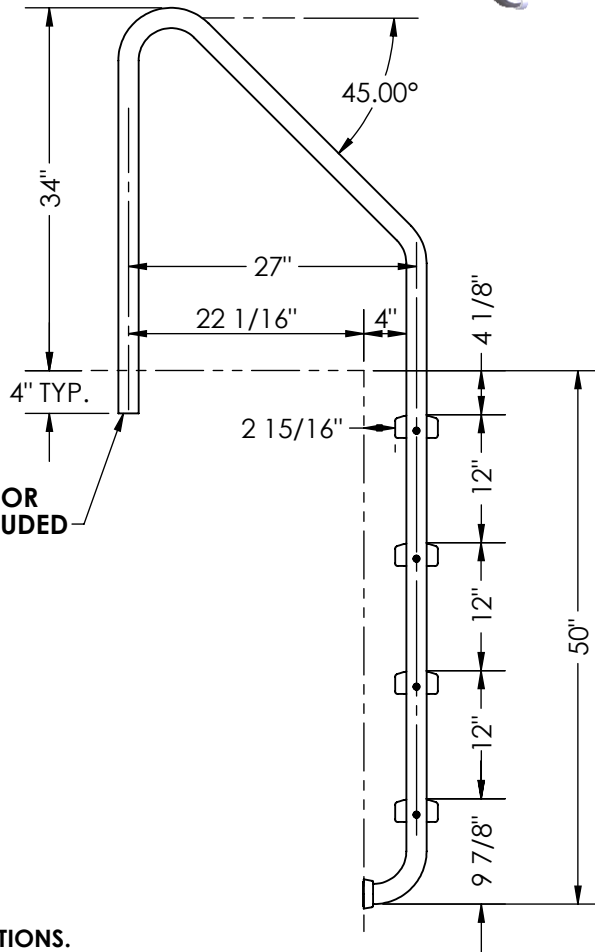
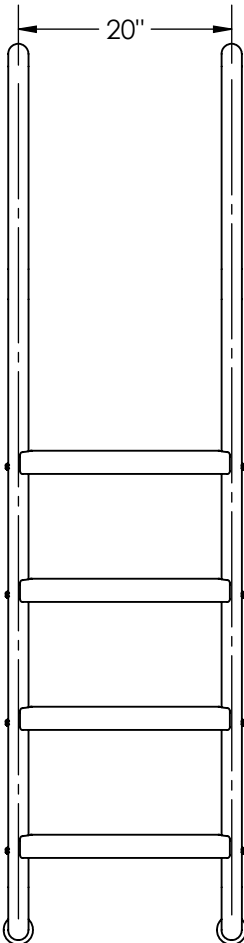
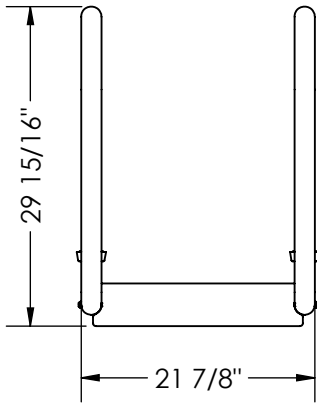
1 DIMENSIONS VARY WITH SPECIFIC APPLICATIONS.  
 SPECIFICATIONS ARE NOMINAL AND ARE SUBJECT TO CHANGE.  
 PLEASE CONTACT SPECTUM PRODUCTS FOR CUSTOM APPLICATIONS.



7100 Spectrum Lane  
 Missoula, Montana 59808  
 406.542.9781 \* 800.791.8056  
 Fax: 406.542.1158  
 www.spectrumproducts.com

**ENGINEERING DATA**

PRODUCT:	4 STEP STANDARD LADDER 25"
PRODUCT #:	35133-25-.065
REVISION:	B
MATERIAL:	1.90"x.065" 304L SERIES S.S. TUBE



**NOTE:**

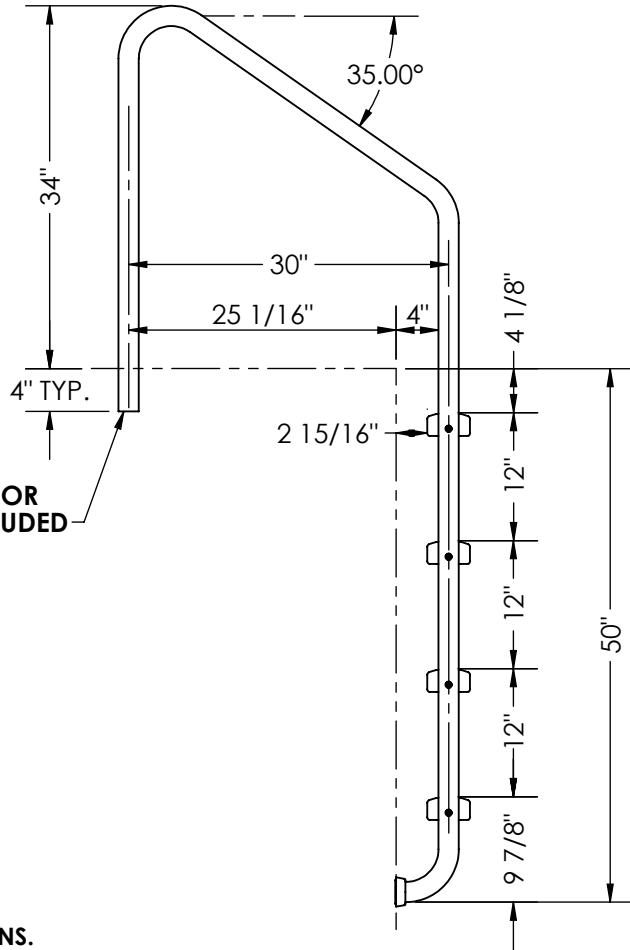
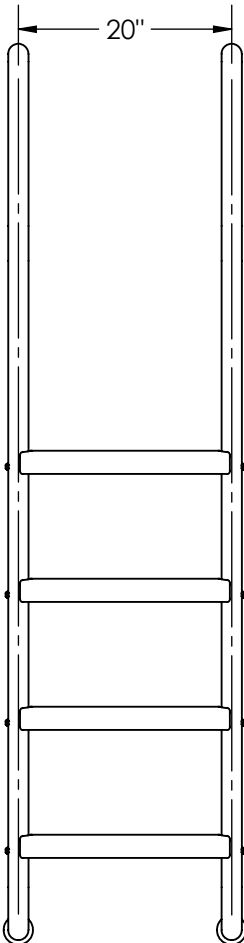
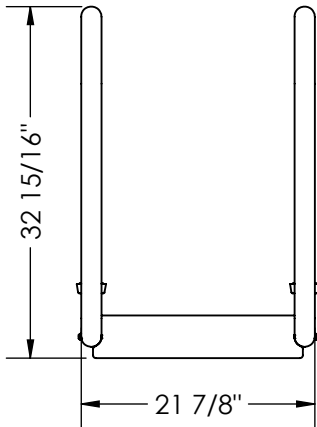
1 DIMENSIONS VARY WITH SPECIFIC APPLICATIONS.  
 SPECIFICATIONS ARE NOMINAL AND ARE SUBJECT TO CHANGE.  
 PLEASE CONTACT SPECTUM PRODUCTS FOR CUSTOM APPLICATIONS.



7100 Spectrum Lane  
 Missoula, Montana 59808  
 406.542.9781 \* 800.791.8056  
 Fax: 406.542.1158  
 www.spectrumproducts.com

**ENGINEERING DATA**

PRODUCT:	4 STEP STANDARD LADDER 27"
PRODUCT #:	35133-27-.065
REVISION:	B
MATERIAL:	1.90"x.065" 304L SERIES S.S. TUBE



(2) ANCHOR  
NOT INCLUDED

**NOTE:**

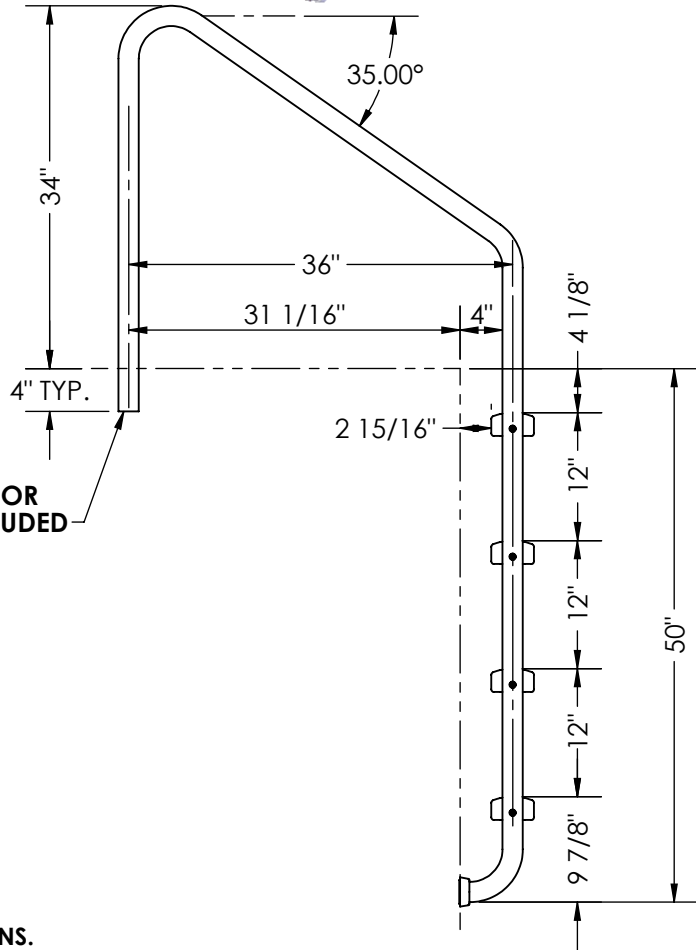
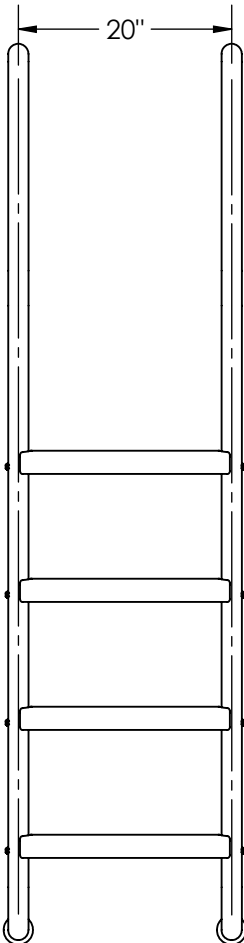
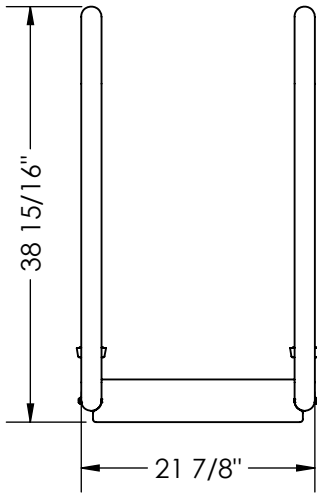
1 DIMENSIONS VARY WITH SPECIFIC APPLICATIONS.  
SPECIFICATIONS ARE NOMINAL AND ARE SUBJECT TO CHANGE.  
PLEASE CONTACT SPECTUM PRODUCTS FOR CUSTOM APPLICATIONS.



7100 Spectrum Lane  
Missoula, Montana 59808  
406.542.9781 \* 800.791.8056  
Fax: 406.542.1158  
www.spectrumproducts.com

**ENGINEERING DATA**

PRODUCT:	4 STEP STANDARD LADDER 30"
PRODUCT #:	35133-30-.065
REVISION:	B
MATERIAL:	1.90"x.065" 304L SERIES S.S. TUBE



(2) ANCHOR  
NOT INCLUDED

**NOTE:**

1 DIMENSIONS VARY WITH SPECIFIC APPLICATIONS.  
SPECIFICATIONS ARE NOMINAL AND ARE SUBJECT TO CHANGE.  
PLEASE CONTACT SPECTUM PRODUCTS FOR CUSTOM APPLICATIONS.



7100 Spectrum Lane  
Missoula, Montana 59808  
406.542.9781 \* 800.791.8056  
Fax: 406.542.1158  
www.spectrumproducts.com

**ENGINEERING DATA**

PRODUCT:	4 STEP STANDARD LADDER 36"
PRODUCT #:	35133-36-.065
REVISION:	B
MATERIAL:	1.90"x.065" 304L SERIES S.S. TUBE