

(2) ANCHOR NOT INCLUDED

NOTE:

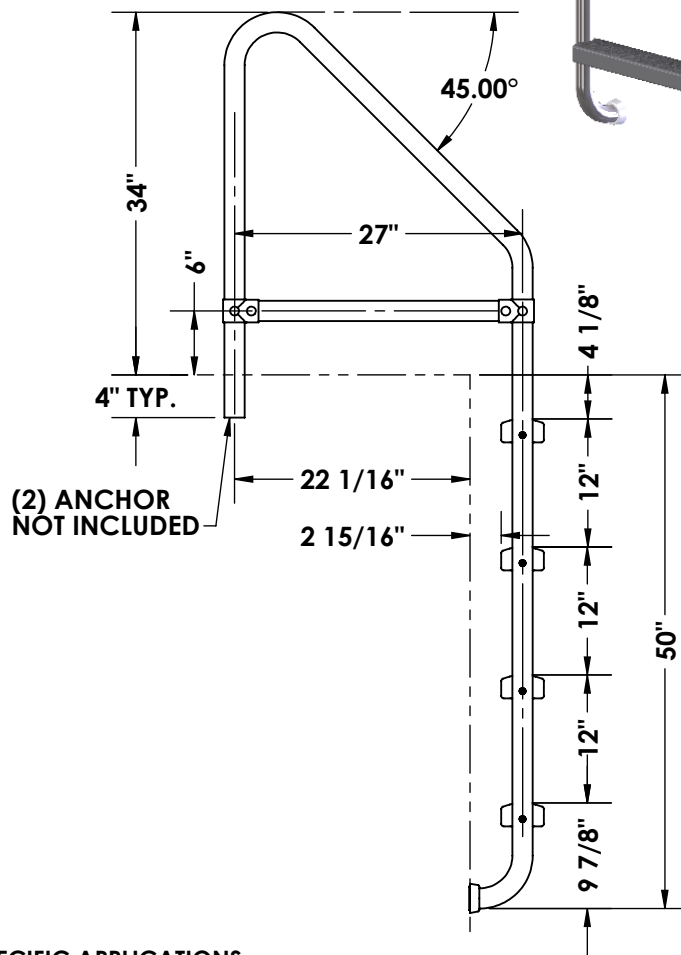
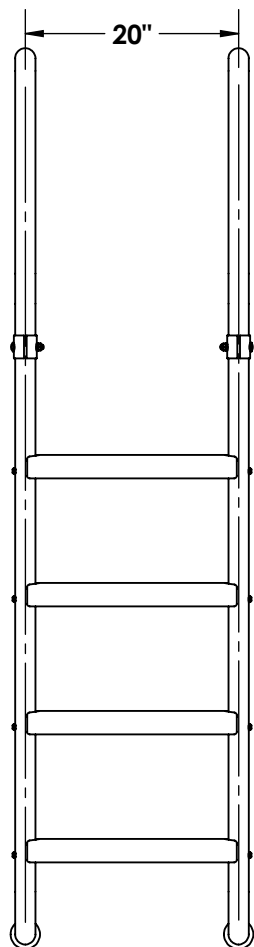
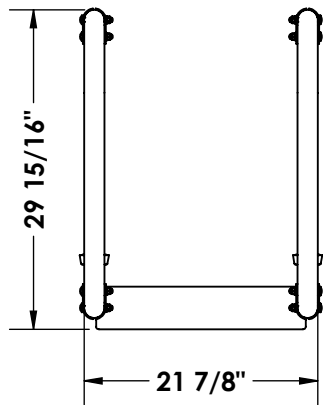
1 DIMENSIONS VARY WITH SPECIFIC APPLICATIONS.
 SPECIFICATIONS ARE NOMINAL AND ARE SUBJECT TO CHANGE.
 PLEASE CONTACT SPECTUM PRODUCTS FOR CUSTOM APPLICATIONS.



7100 Spectrum Lane
 Missoula, Montana 59808
 406.542.9781 * 800.791.8056
 Fax: 406.542.1158
 www.spectrumproducts.com

ENGINEERING DATA

PRODUCT:	4 STEP HEAVY DUTY LADDER 25"
PRODUCT #:	36401-25-.065
REVISION:	B
MATERIAL:	1.90"x.065" 304L SERIES S.S. TUBE



NOTE:

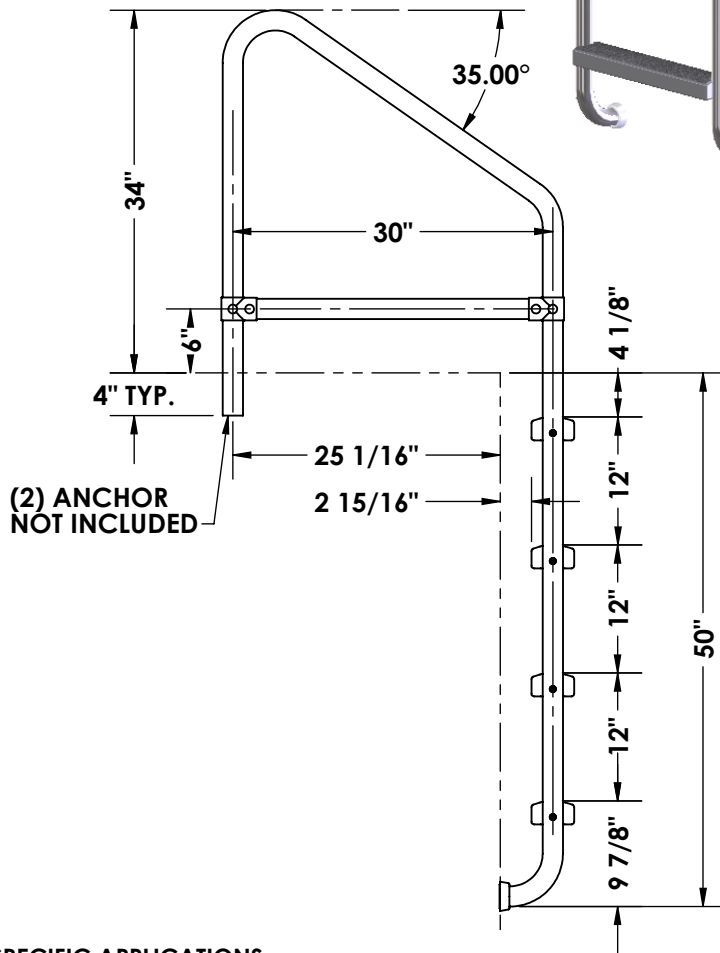
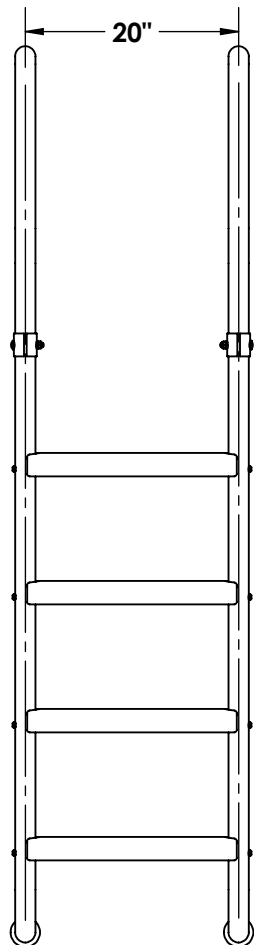
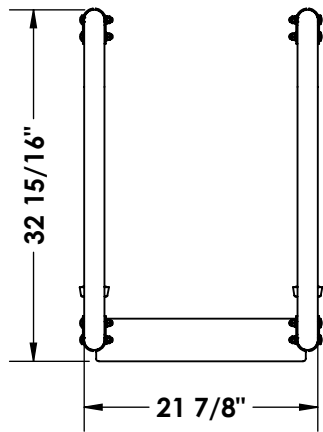
1 DIMENSIONS VARY WITH SPECIFIC APPLICATIONS.
 SPECIFICATIONS ARE NOMINAL AND ARE SUBJECT TO CHANGE.
 PLEASE CONTACT SPECTUM PRODUCTS FOR CUSTOM APPLICATIONS.



7100 Spectrum Lane
 Missoula, Montana 59808
 406.542.9781 * 800.791.8056
 Fax: 406.542.1158
 www.spectrumproducts.com

ENGINEERING DATA

PRODUCT:	4 STEP HEAVY DUTY LADDER 27"
PRODUCT #:	36401-27-.065
REVISION:	B
MATERIAL:	1.90"x.065" 304L SERIES S.S. TUBE



NOTE:

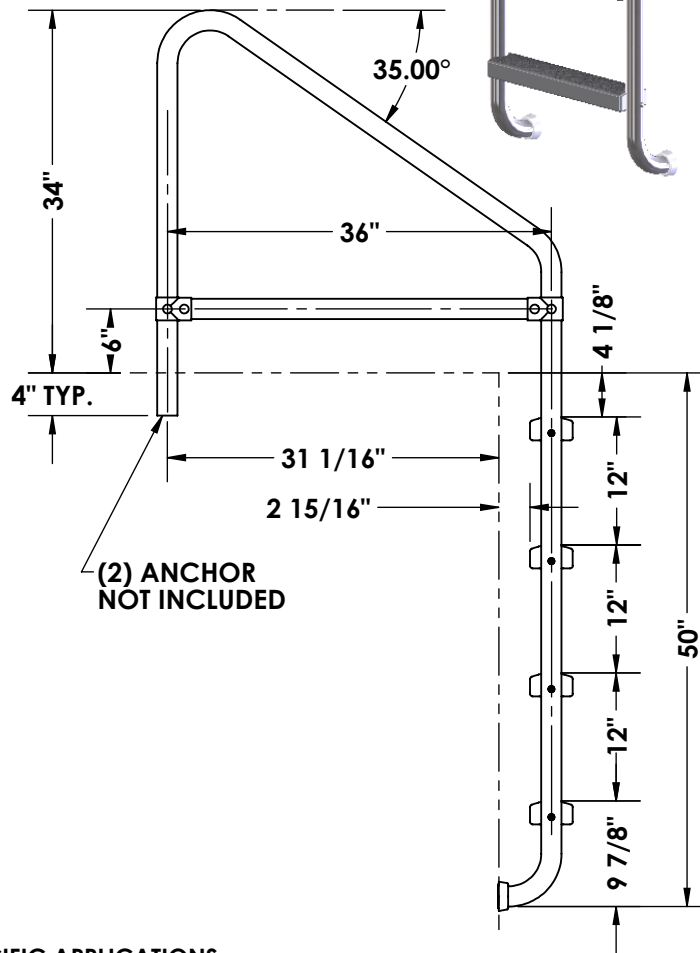
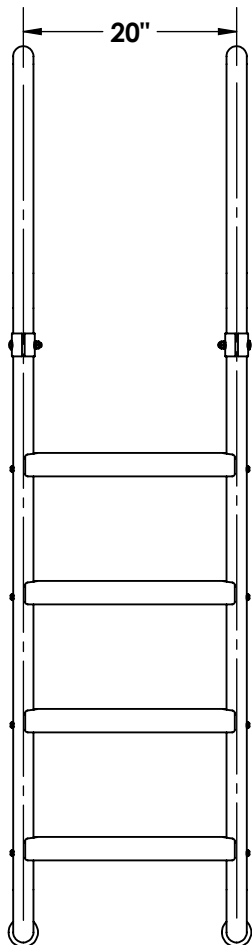
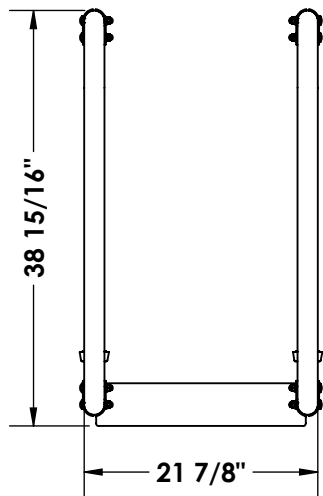
1 DIMENSIONS VARY WITH SPECIFIC APPLICATIONS.
 SPECIFICATIONS ARE NOMINAL AND ARE SUBJECT TO CHANGE.
 PLEASE CONTACT SPECTUM PRODUCTS FOR CUSTOM APPLICATIONS.



7100 Spectrum Lane
 Missoula, Montana 59808
 406.542.9781 * 800.791.8056
 Fax: 406.542.1158
 www.spectrumproducts.com

ENGINEERING DATA

PRODUCT:	4 STEP HEAVY DUTY LADDER 30"
PRODUCT #:	36401-30-.065
REVISION:	B
MATERIAL:	1.90"x.065" 304L SERIES S.S. TUBE



NOTE:

1 DIMENSIONS VARY WITH SPECIFIC APPLICATIONS.
 SPECIFICATIONS ARE NOMINAL AND ARE SUBJECT TO CHANGE.
 PLEASE CONTACT SPECTUM PRODUCTS FOR CUSTOM APPLICATIONS.



7100 Spectrum Lane
 Missoula, Montana 59808
 406.542.9781 * 800.791.8056
 Fax: 406.542.1158
 www.spectrumproducts.com

ENGINEERING DATA

PRODUCT:	4 STEP HEAVY DUTY LADDER 36"
PRODUCT #:	36401-36-.065
REVISION:	B
MATERIAL:	1.90"x.065" 304L SERIES S.S. TUBE