

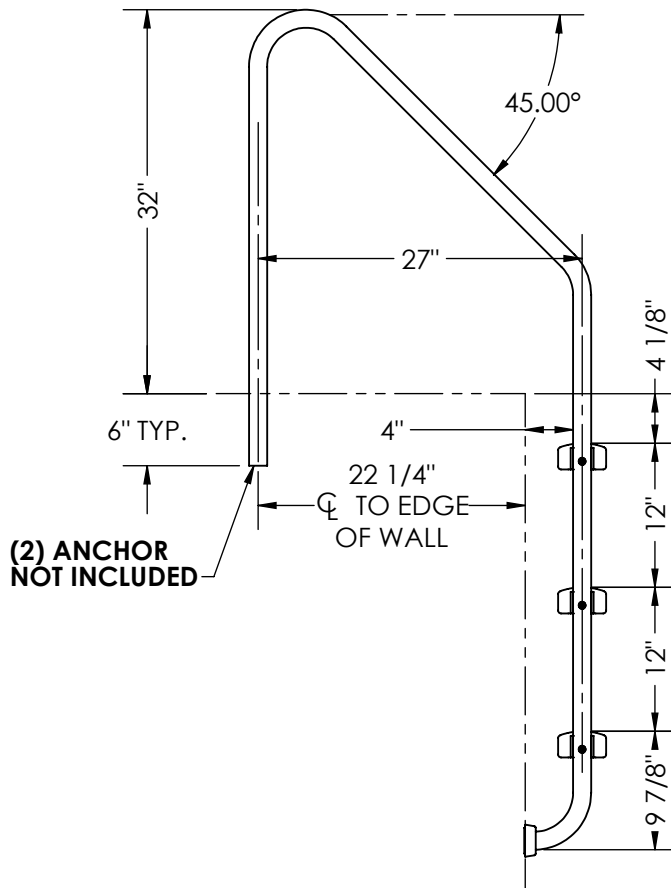
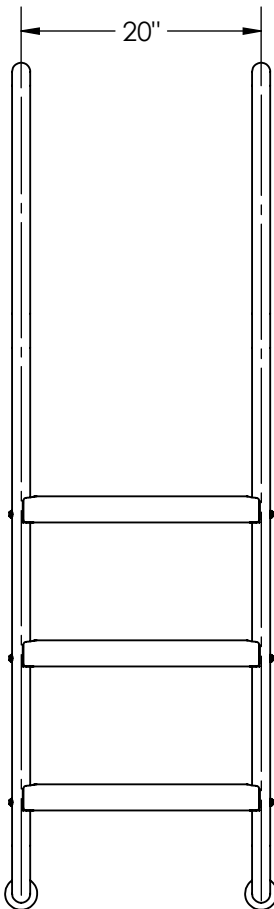
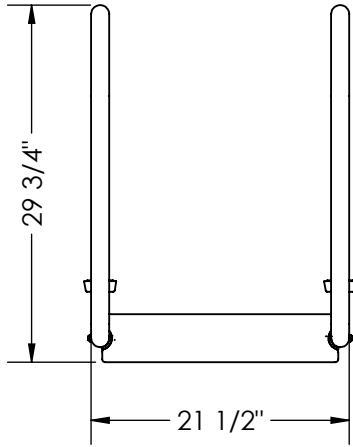
**NOTE:**

1 DIMENSIONS VARY WITH SPECIFIC APPLICATIONS.  
 SPECIFICATIONS ARE NOMINAL AND ARE SUBJECT TO CHANGE.  
 PLEASE CONTACT SPECTUM PRODUCTS FOR CUSTOM APPLICATIONS.

7100 Spectrum Lane  
 Missoula, Montana 59808  
 406.542.9781 \* 800.791.8056  
 Fax: 406.542.1158  
 www.spectrumproducts.com

**ENGINEERING DATA**

PRODUCT:	3 STEP STANDARD LADDER 25"
PRODUCT #:	35131-25-.120
REVISION:	B
MATERIAL:	1.50"x.120" 316L SERIES S.S. TUBE



(2) ANCHOR NOT INCLUDED

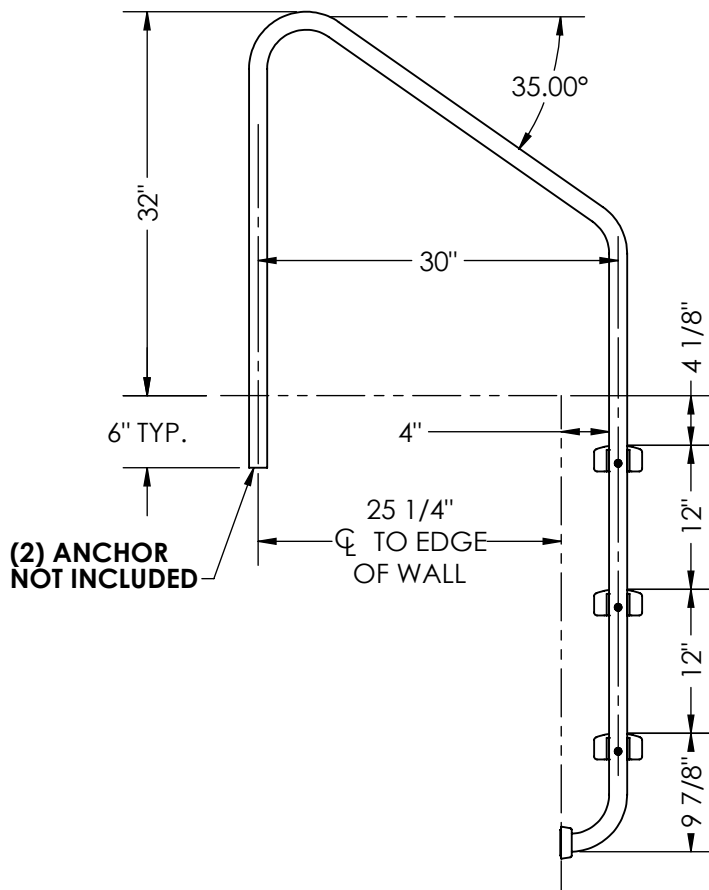
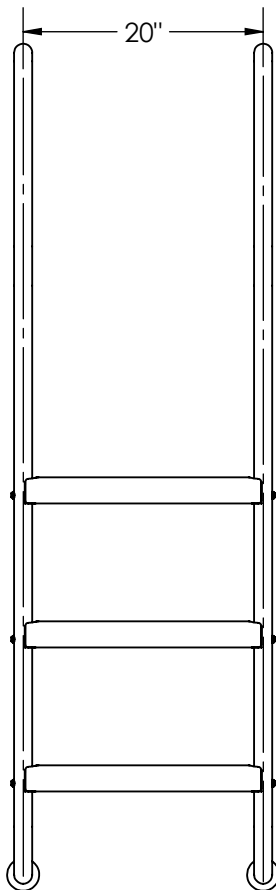
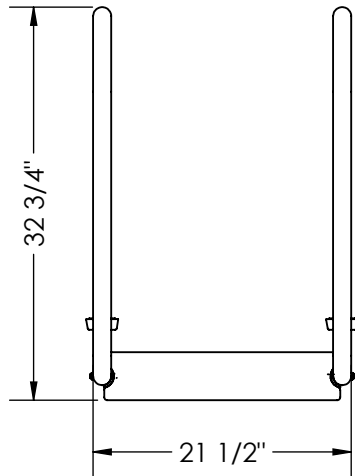
**NOTE:**

1 DIMENSIONS VARY WITH SPECIFIC APPLICATIONS.  
 SPECIFICATIONS ARE NOMINAL AND ARE SUBJECT TO CHANGE.  
 PLEASE CONTACT SPECTUM PRODUCTS FOR CUSTOM APPLICATIONS.

7100 Spectrum Lane  
 Missoula, Montana 59808  
 406.542.9781 \* 800.791.8056  
 Fax: 406.542.1158  
 www.spectrumproducts.com

**ENGINEERING DATA**

PRODUCT:	3 STEP STANDARD LADDER 27"
PRODUCT #:	35131-27-.120
REVISION:	B
MATERIAL:	1.50"x.120" 316L SERIES S.S. TUBE



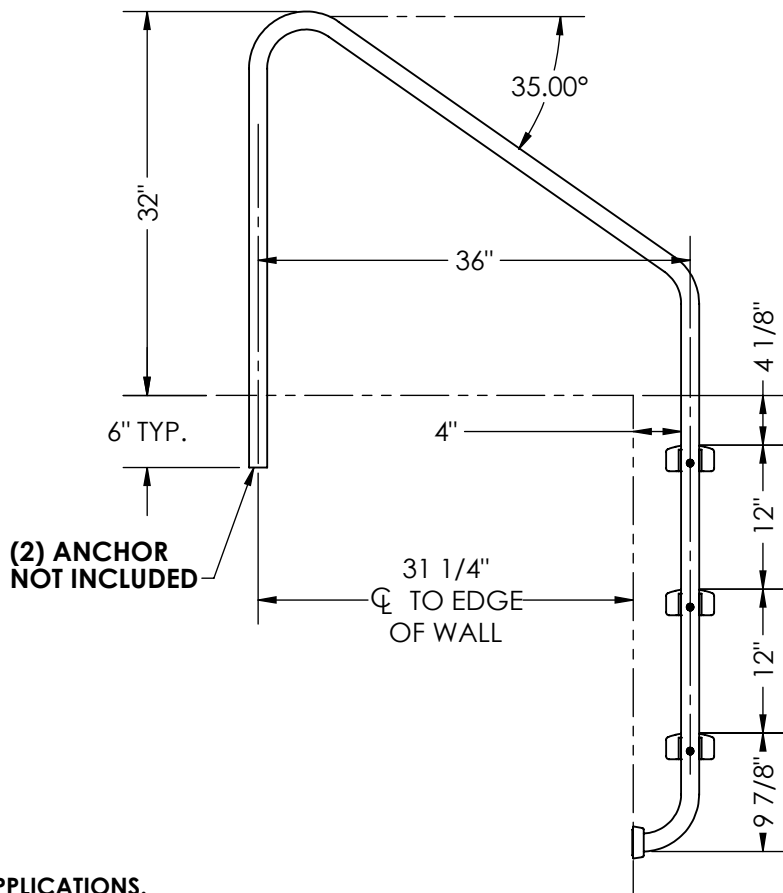
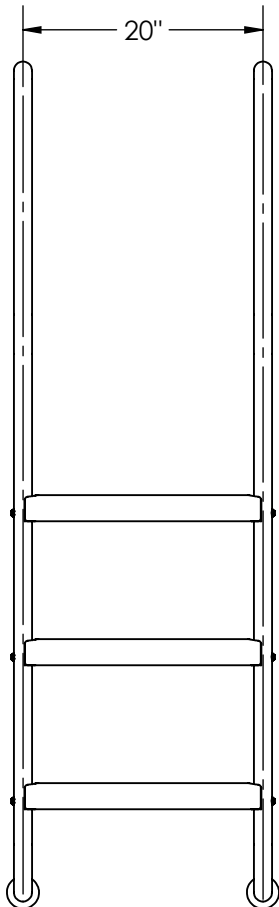
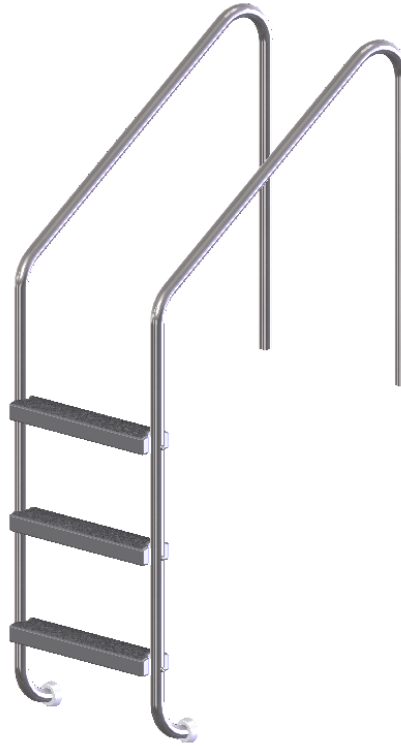
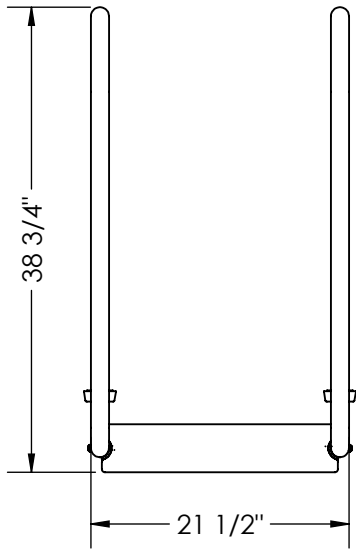
**NOTE:**

1 DIMENSIONS VARY WITH SPECIFIC APPLICATIONS.  
 SPECIFICATIONS ARE NOMINAL AND ARE SUBJECT TO CHANGE.  
 PLEASE CONTACT SPECTUM PRODUCTS FOR CUSTOM APPLICATIONS.

7100 Spectrum Lane  
 Missoula, Montana 59808  
 406.542.9781 \* 800.791.8056  
 Fax: 406.542.1158  
 www.spectrumproducts.com

**ENGINEERING DATA**

PRODUCT:	3 STEP STANDARD LADDER 30"
PRODUCT #:	35131-30-.120
REVISION:	B
MATERIAL:	1.50"x.120" 316L SERIES S.S. TUBE



**NOTE:**

1 DIMENSIONS VARY WITH SPECIFIC APPLICATIONS.  
 SPECIFICATIONS ARE NOMINAL AND ARE SUBJECT TO CHANGE.  
 PLEASE CONTACT SPECTUM PRODUCTS FOR CUSTOM APPLICATIONS.

7100 Spectrum Lane  
 Missoula, Montana 59808  
 406.542.9781 \* 800.791.8056  
 Fax: 406.542.1158  
 www.spectrumproducts.com

**ENGINEERING DATA**

PRODUCT:	3 STEP STANDARD LADDER 36"
PRODUCT #:	35131-36-.120
REVISION:	B
MATERIAL:	1.50"x.120" 316L SERIES S.S. TUBE