

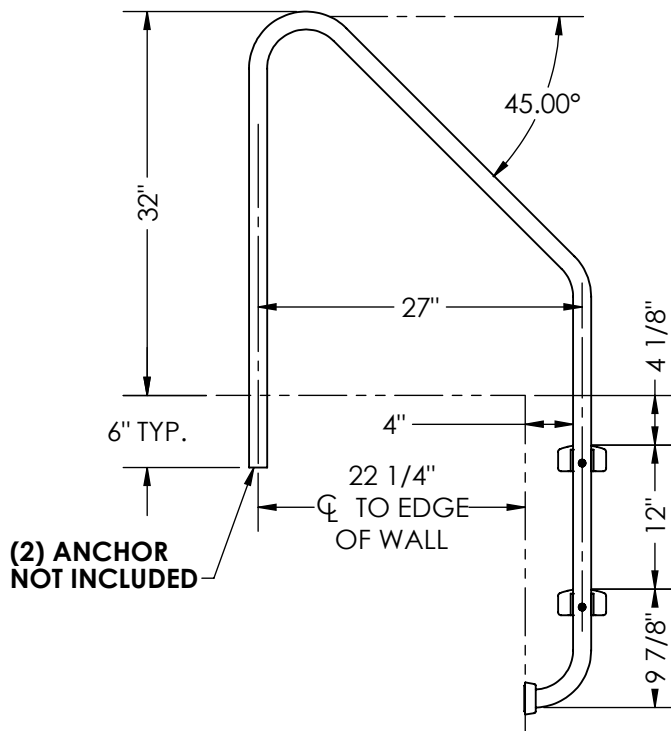
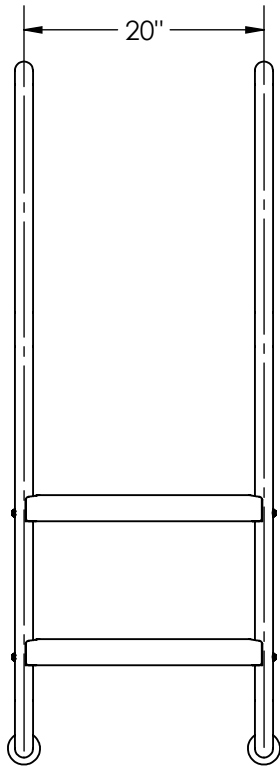
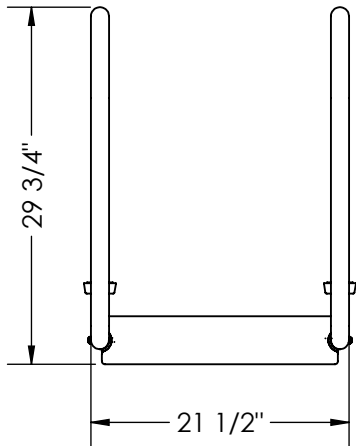
**NOTE:**

1 **DIMENSIONS VARY WITH SPECIFIC APPLICATIONS.  
SPECIFICATIONS ARE NOMINAL AND ARE SUBJECT TO CHANGE.  
PLEASE CONTACT SPECTUM PRODUCTS FOR CUSTOM APPLICATIONS.**

7100 Spectrum Lane  
Missoula, Montana 59808  
406.542.9781 \* 800.791.8056  
Fax: 406.542.1158  
www.spectrumproducts.com

**ENGINEERING DATA**

PRODUCT:	2 STEP STANDARD LADDER 25"
PRODUCT #:	35129-25-.120
REVISION:	B
MATERIAL:	1.50"x.120" 316L SERIES S.S. TUBE



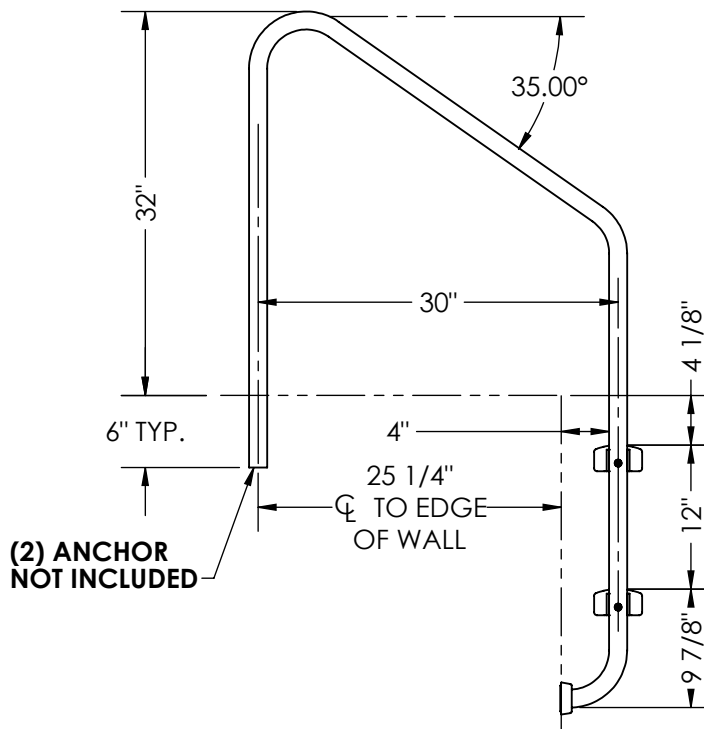
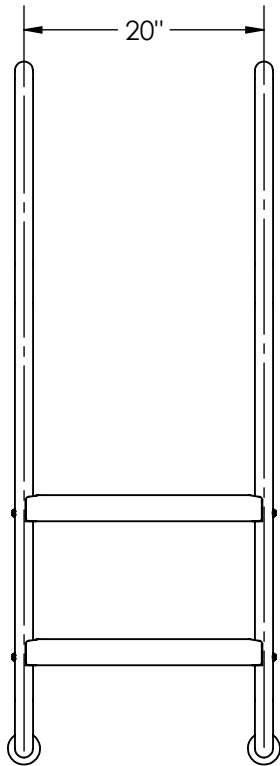
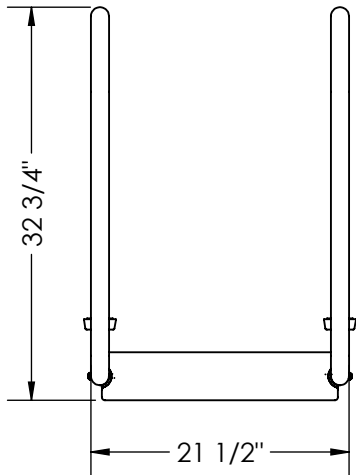
**NOTE:**

1 DIMENSIONS VARY WITH SPECIFIC APPLICATIONS.  
 SPECIFICATIONS ARE NOMINAL AND ARE SUBJECT TO CHANGE.  
 PLEASE CONTACT SPECTUM PRODUCTS FOR CUSTOM APPLICATIONS.

7100 Spectrum Lane  
 Missoula, Montana 59808  
 406.542.9781 \* 800.791.8056  
 Fax: 406.542.1158  
 www.spectrumproducts.com

**ENGINEERING DATA**

PRODUCT:	2 STEP STANDARD LADDER 27"
PRODUCT #:	35129-27-.120
REVISION:	B
MATERIAL:	1.50"x.120" 316L SERIES S.S. TUBE



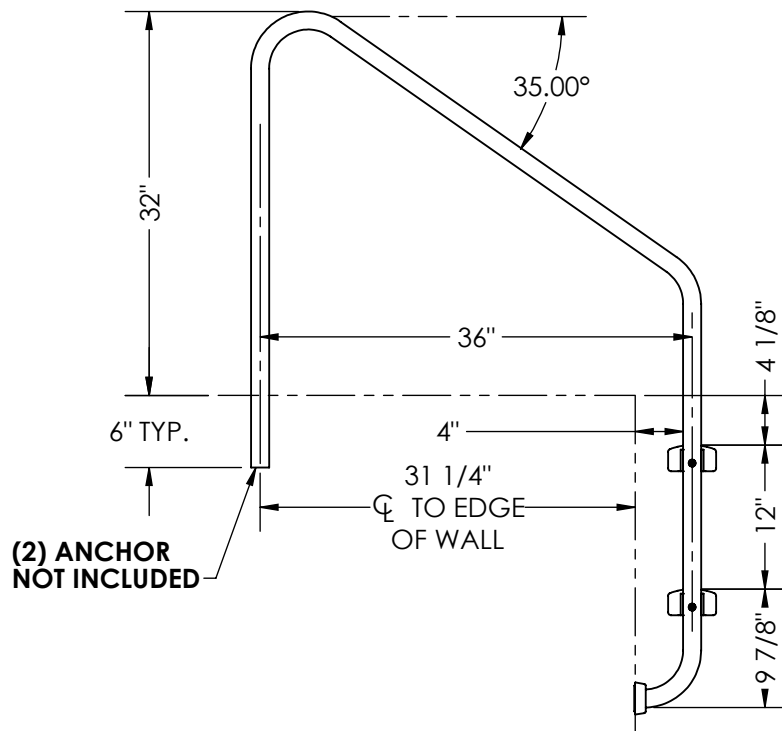
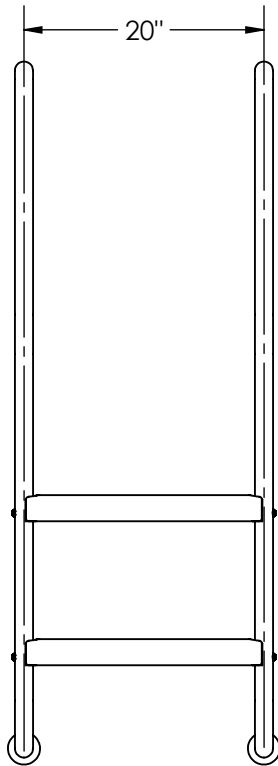
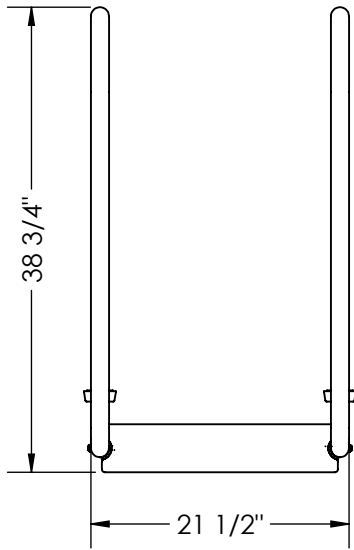
**NOTE:**

1 DIMENSIONS VARY WITH SPECIFIC APPLICATIONS.  
 SPECIFICATIONS ARE NOMINAL AND ARE SUBJECT TO CHANGE.  
 PLEASE CONTACT SPECTUM PRODUCTS FOR CUSTOM APPLICATIONS.

7100 Spectrum Lane  
 Missoula, Montana 59808  
 406.542.9781 \* 800.791.8056  
 Fax: 406.542.1158  
 www.spectrumproducts.com

**ENGINEERING DATA**

PRODUCT:	2 STEP STANDARD LADDER 30"
PRODUCT #:	35129-30-.120
REVISION:	B
MATERIAL:	1.50"x.120" 316L SERIES S.S. TUBE



**NOTE:**

1 **DIMENSIONS VARY WITH SPECIFIC APPLICATIONS.**  
**SPECIFICATIONS ARE NOMINAL AND ARE SUBJECT TO CHANGE.**  
**PLEASE CONTACT SPECTUM PRODUCTS FOR CUSTOM APPLICATIONS.**

7100 Spectrum Lane  
 Missoula, Montana 59808  
 406.542.9781 \* 800.791.8056  
 Fax: 406.542.1158  
 www.spectrumproducts.com

**ENGINEERING DATA**

PRODUCT:	2 STEP STANDARD LADDER 36"
PRODUCT #:	35129-36-.120
REVISION:	B
MATERIAL:	1.50"x.120" 316L SERIES S.S. TUBE