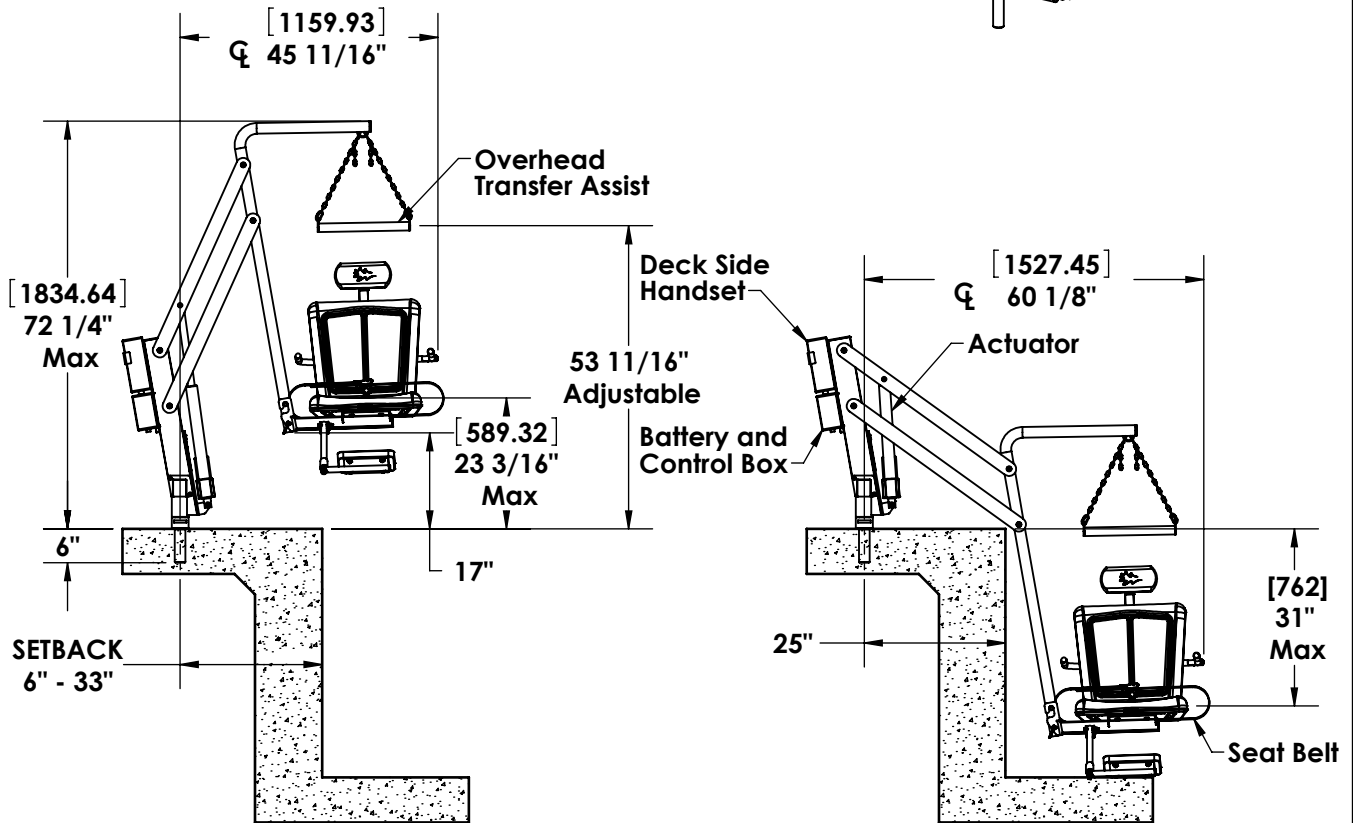
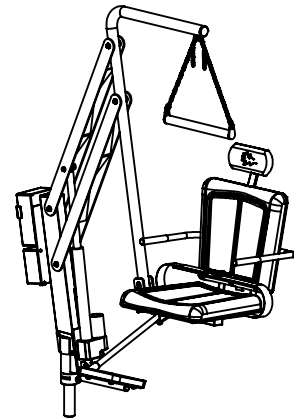
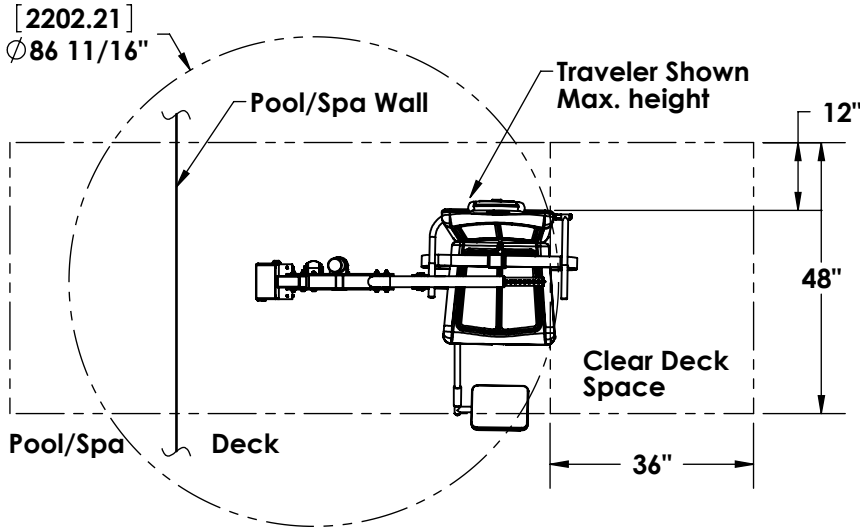


# SWIM LIFT MODEL - TRAVELER II XRC BP500



**NOTE:**

1 DIMENSIONS VARY WITH SPECIFIC APPLICATIONS. SPECIFICATIONS ARE NOMINAL AND ARE SUBJECT TO CHANGE. PLEASE CONTACT SPECTUM PRODUCTS FOR CUSTOM APPLICATIONS.

**Note:**

Maximum depth achieved when Traveler is setback to a maximum of 25"

Lift will lower to 18" below pool deck at a maximum of 33" setback.

**SPECTRUM**  
Products

7100 Spectrum Lane  
Missoula, Montana 59808  
406.542.9781 \* 800.791.8056  
Fax: 406.542.1158  
www.spectrumproducts.com

## ENGINEERING DATA

PRODUCT:	TRAVELER II XRC BP500
PRODUCT #:	27610
REVISION:	C
MATERIAL:	304 STAINLESS STEEL