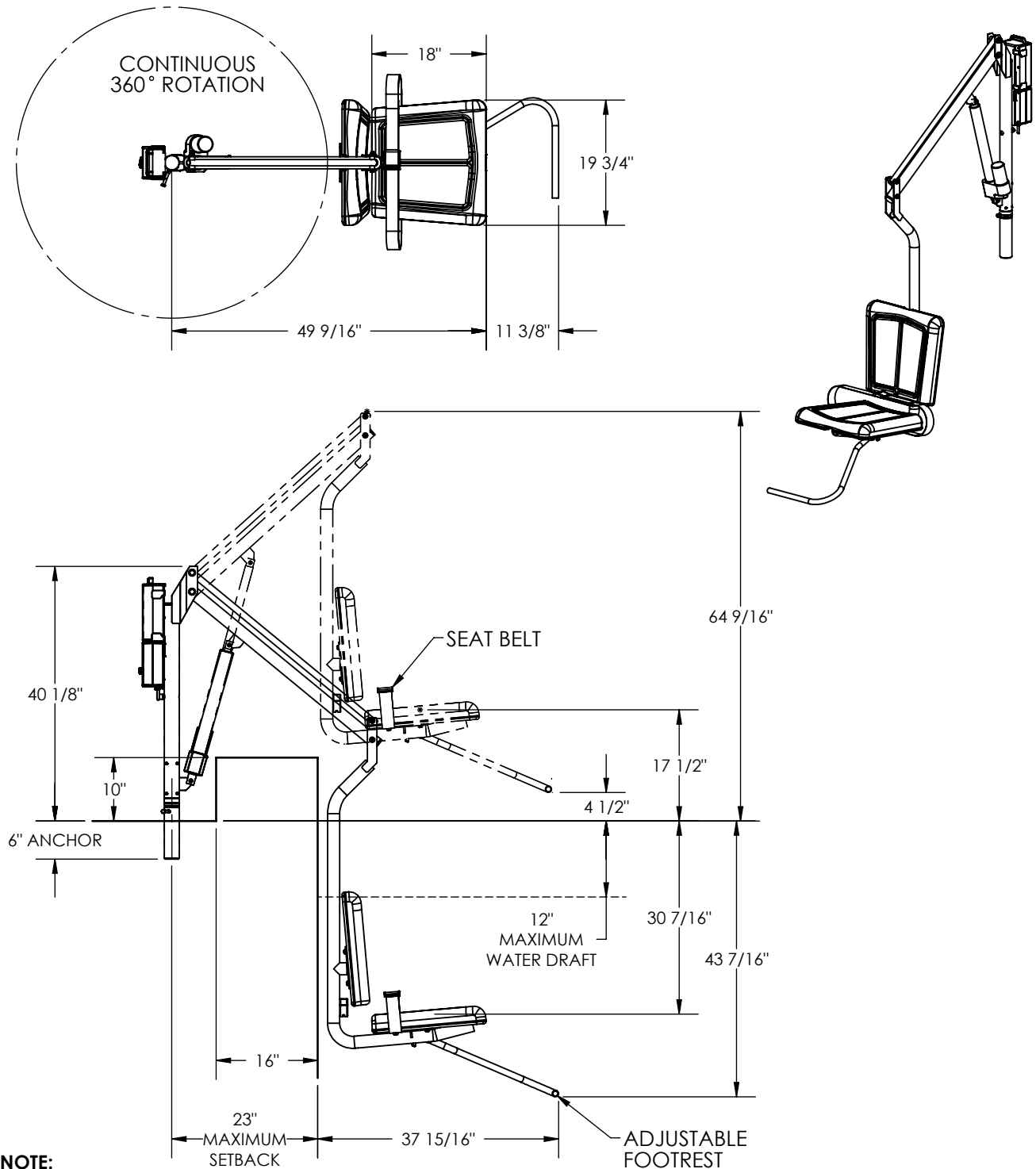


SWIM LIFT MODEL - FREEDOM



NOTE:

1 **DIMENSIONS VARY WITH SPECIFIC APPLICATIONS. SPECIFICATIONS ARE NOMINAL AND ARE SUBJECT TO CHANGE. PLEASE CONTACT SPECTUM PRODUCTS FOR CUSTOM APPLICATIONS.**

SPECTRUM
Products

7100 Spectrum Lane
Missoula, Montana 59808
406.542.9781 * 800.791.8056
Fax: 406.542.1158
www.spectrumproducts.com

ENGINEERING DATA

PRODUCT:	FREEDOM BP350
PRODUCT #:	57961
REVISION:	A
MATERIAL:	304 SERIES STAINLESS STEEL